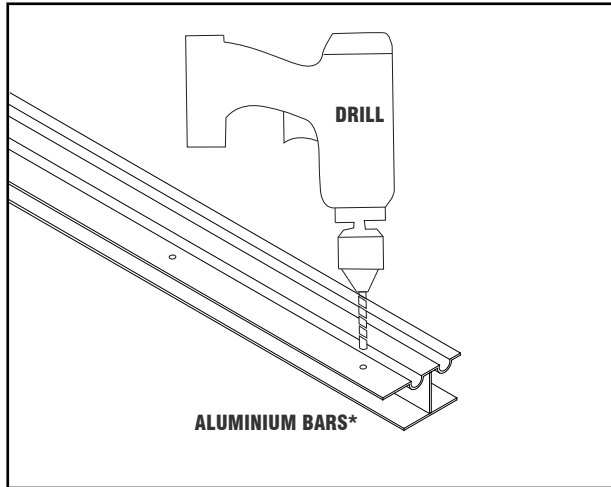
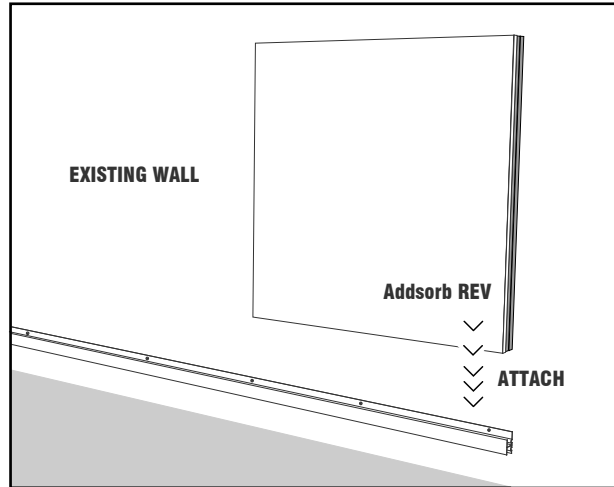


ADDSORB REV

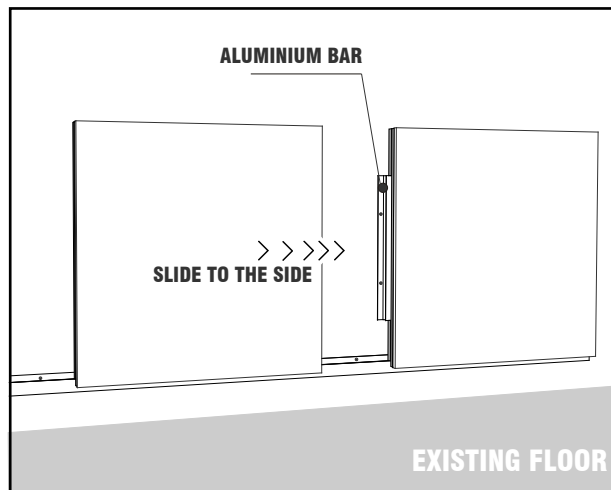
INSTALATION: SCHEMATIC DRAWINGS



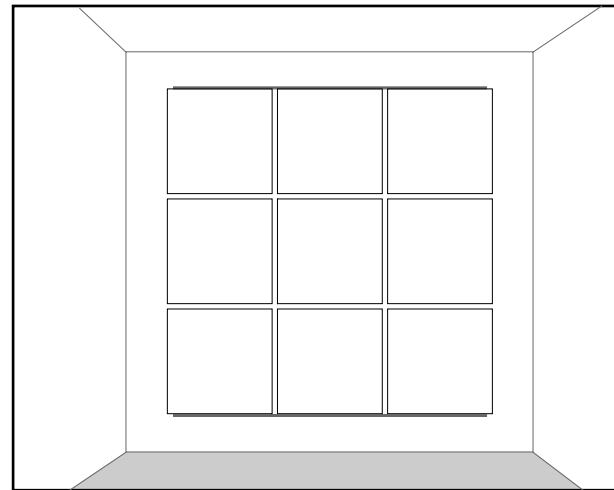
Drill the holes in the optional aluminium bars* (sold separately).



Fix the aluminium bar to the wall or ceiling using the appropriate plugs and screws according to the surface base.



Then, attach the panel down to connect with the aluminium bar. Slide it to the side in order to connect the next panel.



Repeat the parts 2 and 3 until you get the desired result.

